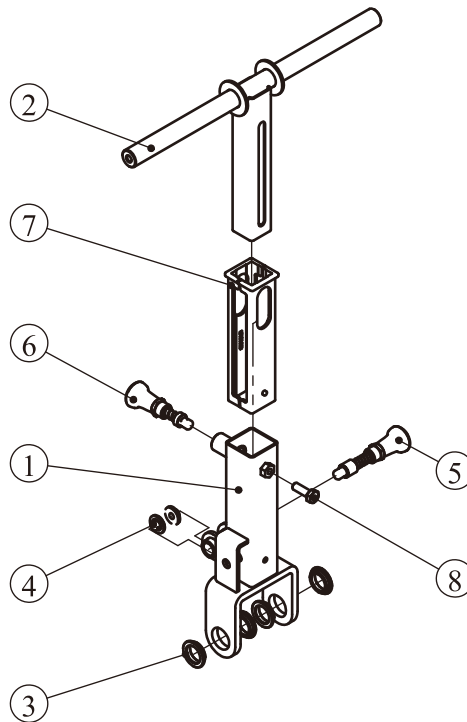


Exploded View and Parts List

Foam Support Frame ASSY



Grade No.	Part No.	Description	QTY
6.1	BB-SHT0600	Adjusting Frame	1
6.2	BB-SHT0700	Foam Support Frame	1
6.3	FE97085100	Copper Bearing	4
6.4	BNH0547	Nylon Washer	2
6.5	IT95021600	Locking Pin 1	1
6.6	IT95251600	Locking Pin 2	1
6.7	HF1651600B	Long Half Set	2
6.8	PNLM10*30DHS20	Hex Head Bolt M10*30	1