

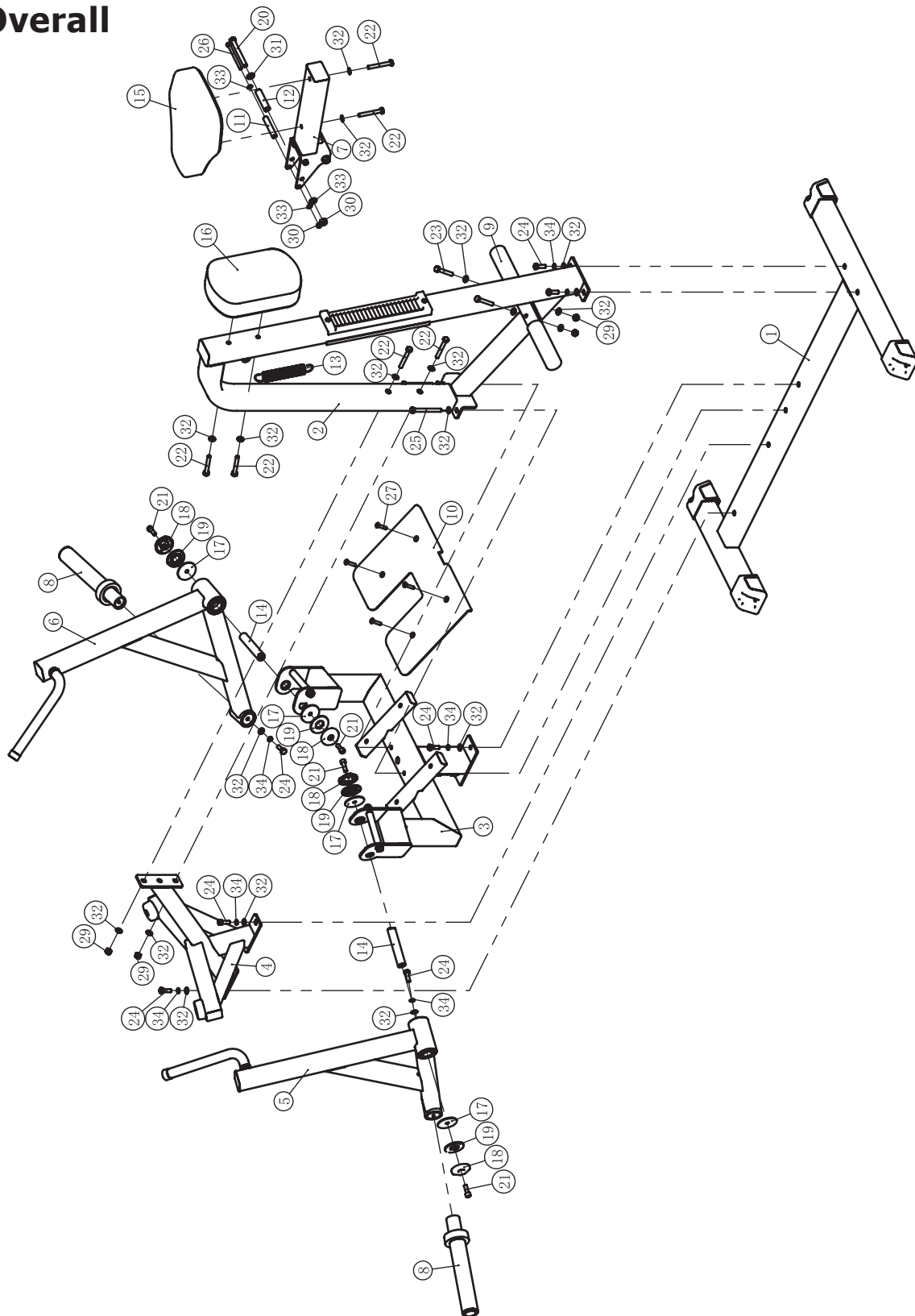
Exploded View and Parts List

Overall

Item No.	Part No.	Description	QTY
1	IFP130201ASSY	Bottom Frame ASSY	1
2	IFP130202ASSY	Main Frame ASSY	1
3	IFP130203ASSY	Middle Connection Frame ASSY	1
4	IFP130204ASSY	Front Frame ASSY	1
5	IFP130205ASSY	Left Arm Frame ASSY	1
6	IFP130206ASSY	Right Arm Frame ASSY	1
7	IFP120105ASSY	Seat Frame ASSY	1
8	IFP120106ASSY	Weight Horn ASSY	2
9	FE971416ASSY	Circular Foot Frame ASSY	1
10	IFP13022100	Foot Support Plate	1
11	IFP12010700	Limit Sleeve	1
12	KPSFID0700V2	Supporting Sleeve	1
13	SL70012200	Pull Spring	1
14	IF93012600	Pivot Shaft Φ 25*133	2
15	IF93015200V2	Seat Pad	1
16	SL70041600V2	Breast Pad	1
17	IF93062200	Washer Φ 62* Φ 10.5*3	4
18	FE97211900	Cap Φ 60	4
19	FE97212000	Circle Ring Φ 62.5*5	4
20	IFP12012100	Shoulder Bolt Φ 12*96.5*M8	1
21	GB70M10*30DHS20	Socket Head Cap Screw M10*30	4
22	GB5780M10*75DHS20	Hex Head Bolt M10*75	6
23	GB5780M10*65DHS20	Hex Head Bolt M10*65	2
24	GB5781M10*30DHS20	Hex Head Bolt M10*30	8
25	GB5780M10*100DHS20	Hex Head Bolt M10*100	2
26	GB5780M8*105DHS20	Hex Head Bolt M8*105	1
27	CNLM8*40DHS20	Flat Head Cap Screw M8*40	4
29	NM10DHS2	Nylon Lock Nut M10	6
30	NM8DHS2	Nylon Lock Nut M8	6
31	GB9512DHS2	Flat Washer Φ 13* Φ 24*2.5	1
32	GB9510DHS2	Flat Washer Φ 11 Φ 20*2	24
33	GB958DHS2	Flat Washer Φ 9* Φ 16*1.6	7
34	GB9310DHS12	Spring Washer Φ 10	8
35	NBS8DHS	Hex Key S=8	1
36	NBS5DHS	Hex Key S=5	1
37	NBS4DHS	Hex Key S=4	1

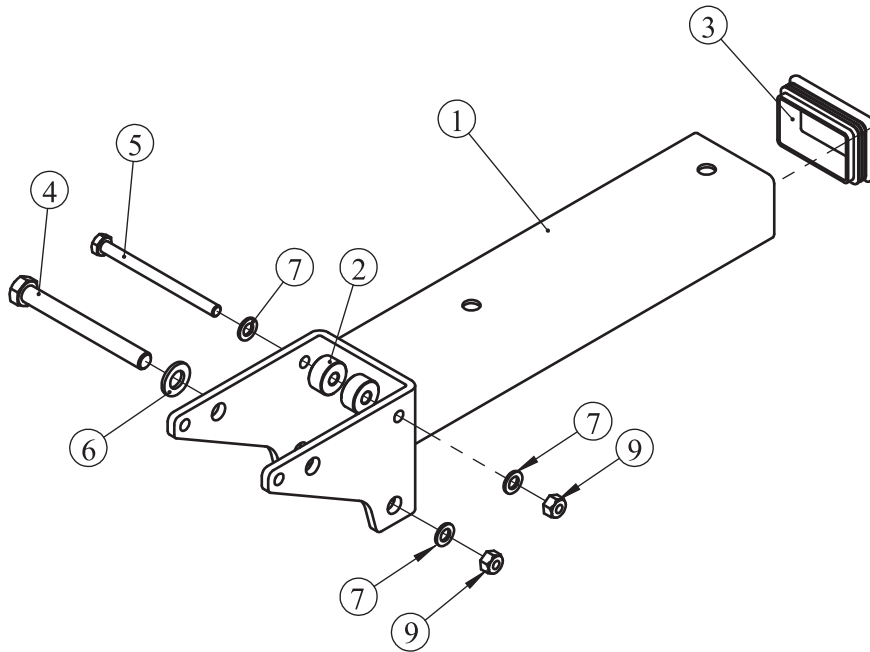
Exploded View and Parts List

Overall



Exploded View and Parts List

Seat Frame ASSY



Grade No.	Part No.	Description	QTY
7.1	IFP12010500	Seat Frame	1
7.2	IFP12013600	Idler Wheel	2
7.3	KPSFID2800	Plug □50.8*76.2	1
7.4	IFP12012100	Shoulder Bolt $\Phi 12*96.5*M8$	1
7.5	GB5780M8*105DHS20	Hex Head Bolt M8*105	1
7.6	GB9512DHS2	Flat Washer $\Phi 13*\Phi 24*2.5$	1
7.7	GB958DHS2	Flat Washer $\Phi 9*\Phi 16*1.6$	3
7.9	NM8DHS2	Nylon Lock Nut M8	2

