

IF9322

LAT PULLDOWN/VERTICAL ROW OWNER'S MANUAL

21P Rev B

CAUTION! Read all precautions and instructions in this manual before using this equipment.

Table Of Contents

CAUTION!

Read all precautions and instructions in this manual before using this equipment.

Important Safety Instructions-----	3
Instructions-----	5
Exploded View and Parts List-----	6
Measurement Guide-----	15
Assembly Instructions-----	16
Assembly-----	17
Adjust Instructions and Exercise Instructions-----	30
Maintenance Schedule-----	31
General Maintenance Information-----	32
Weight Training Tips-----	33

Please assemble according to the actual **Weights and Shroud** you buy !

Important Safety Instructions

Before beginning any fitness program, you should obtain a complete physical examination from your physician. When using exercise equipment, basic precautions should always be taken, including the following:

1. Read all instructions before using the equipment.
These instructions are written to ensure your safety and to protect the unit.
2. Use the equipment only for its intended purpose as described in this guide.
Do not use accessory attachments that are not recommended by the manufacturer: such attachments might cause injuries.
3. The product should only be used on a level surface and is with 0.6 meters space around the product.
Do not use the equipment outdoors.
4. Do not allow children on or near the equipment. And children are not allowed to use this equipment.
Teenagers should use this equipment with adult supervision.
5. Do not overexert yourself or work to exhaustion.
Do not attempt to lift more weight than you can control safely.
If you feel any pain or abnormal symptoms, stop your workout immediately and consult your physician.
6. This equipment is not used as medical apparatus and instruments.
7. Never operate the unit when it has been dropped or damaged.
Never drop or insert anything into any opening in the equipment.
Always check the unit and its cables before each use. Make sure that all fasteners and cables are secure and in good working condition.
Frayed or worn cables can be dangerous and may cause injury. Periodically check these cables for any indication of wear.
Keep hands, limbs, loose clothing and long hair well out of the way of moving parts.
8. Be careful when getting on or off the equipment.
9. Wear proper exercise clothing and shoes for your workout, no loose clothing.

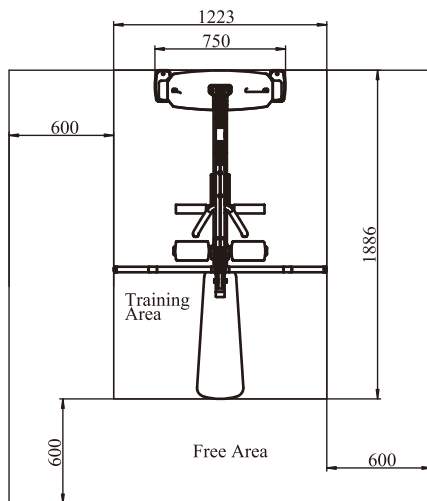
Important Safety Instructions

Personal Safety During Assembly

Read each step in the assembly instructions and follow the steps in sequence. Do not skip ahead. If you skip ahead, you may learn later that you have to disassemble components and that you may have damaged the equipment.

Assemble and operate the equipment on a solid, level surface. Locate the unit a few feet from walls or furniture to provide easy access. The equipment is designed for your enjoyment. By following these precautions and using common sense, you will have many safe and pleasurable hours of healthful exercise with the equipment.

Training Area and Free Area



Specifications

Class: S

Maximum Wt. Capacity: 134kg/ 295lbs

Maximum User Weight: 150kg/ 330lbs

Product Dimension: 1886*1223*2227mm

Product Total Surface: 1886*1223mm

Product Total Mass: 99kg/218lbs

Instructions

Before beginning assembly please take the time to read instructions thoroughly. Please use the various lists in this manual to make sure that all parts have been included in your shipment. When ordering, use part number and description from the lists. Use only our replacement part when servicing. Failure to do so will void your warranty and could result in personal injury.

The equipment is designed to provide the smoothest, most effective exercise motion possible. After assembly, you should check all functions to ensure correct operation. If you experience problems, first recheck the assembly instructions to locate any possible errors made during assembly. If you are unable to correct the problem, call your authorized dealer. Be sure to have your serial number and this manual when calling. When all parts have been accounted for, continue on.

Tools Required



Ratchet Wrench and Socket



Adjustable Wrench



Rubber Mallet



Hex Key Wrench Set



Phillips Screwdriver

Exploded View and Parts List

Overall

ItemNo.	Grade No.	Part No.	Description	QTY
1	1	IF9322B01ASSY	Weight Stack Frame ASSY	1
2	2	IF932202ASSY	Seat Pad Frame ASSY	1
3	3	IF932203ASSY	Front Frame ASSY	1
4	4	IF932204ASSY	Top Frame ASSY	1
5	5	IF932206ASSY	Lat Bar ASSY	1
6	6	IF93222100	Rear Iron Shroud	1
7	7	IF93222200	Top Bracket	2
8	8	IF93223200	Top Cover	1
9	9	IF93013100	Training Placard Cover	1
10	10	IF93013300	Right Plug	1
11	11	IF93013400	Left Plug	1
12	12	IT95014200	Top Plate	1
13	13	IT95015500	Top Rear Shroud	1
14	14	IT95224400	Guide Rod $\Phi 19 \times 1597$	2
15	15	IT952204ASSY	FOAM Frame ASSY	1
16	16	FE971416ASSY	Circular Foot Frame ASSY	1
17	17	HZ700208ASSY	Double Pulley Frame ASSY	1
18	18	V30900V1	Long Lat Bar	1
19	19	IF93225600	Lat Pull Cable ASSY	1
20	20	IF93225700	Row Cable ASSY	1
21	21	SG500110400V5	4.5" Pulley	7
22	22	FTX7300V1	2" Pulley	1
23	23	IN-D10132900	Weight Rubber Bumper	2
24	24	IT95227600V1	Seat Pad	1
25	25	IF81023500V4	FOAM	2
26	26	IT95015600	Rear Shroud	1
27	27	IT90012000V1	Selector Pin W/Coil	1
28	28	LH $\Phi 5 \times 5$ DS2	Chain	1
29	29	HLG8DS2	Gear Hook	2
30	30	IT95016100	Guide Rod Fixing Sleeve $\Phi 30 \times \Phi 19 \times 45$	2

Exploded View and Parts List

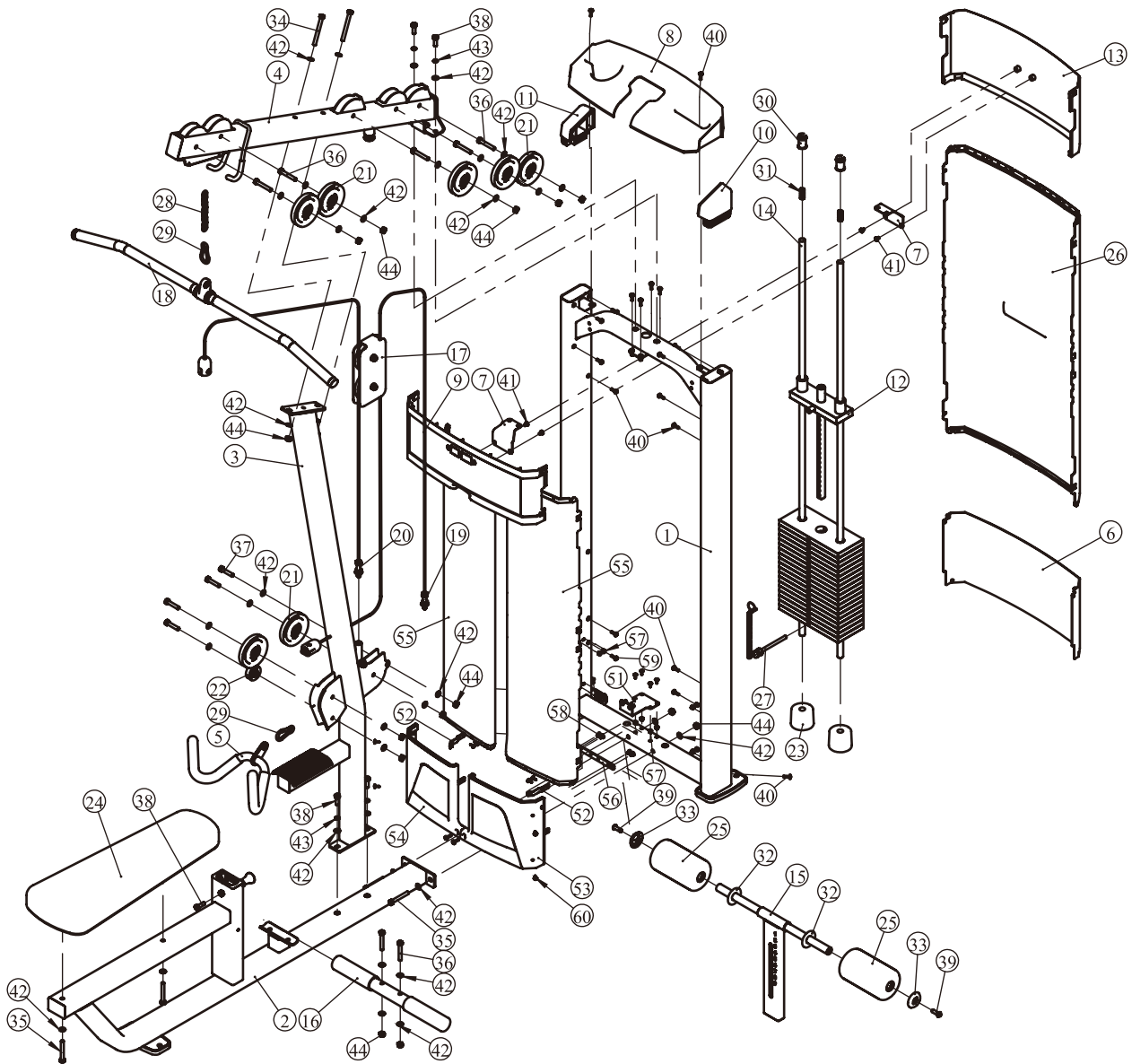
Overall

ItemNo.	Grade No.	Part No.	Description	QTY
31	31	HFOPT900-04A0602	Spring $\Phi 15.5 \times \Phi 1.5 \times 36$	2
32	32	HF1652100	Plastic Washer	2
33	33	IF81022000PBC	Foam Cap	2
34	34	GB5780M10*100DS20	Hex Head Bolt M10*100	2
35	35	GB5780M10*75DS20	Hex Head Bolt M10*75	4
36	36	GB5780M10*65DS20	Hex Head Bolt M10*65	7
37	37	GB5780M10*50DS20	Hex Head Bolt M10*50	4
38	38	GB5780M10*30DS20	Hex Head Bolt M10*30	5
39	39	PNLM10*30DS20	Button Socket Head Cap Screw M10*30	2
40	40	GB818M6*20*20N19	Cross Recessed Pan Head Screw M6*20	20
41	41	GB818M6*10N19	Cross Recessed Pan Head Screw M6*10	4
42	42	GB9510DS2	Flat Washer $\Phi 11 \times \Phi 20 \times 2$	37
43	43	GB9310DS12	Spring Washer $\Phi 10$	4
44	44	NM10DS2	Nylon Lock Nut M10	15
45	45	NBS6DHS	Hex Key S=6	1
46	46	NBS0.188DHS	Hex Key S=3/16	1
47	47	LW200BS	Wrench $\Phi 6 \times 117$	1
48	48	YHY	Lube	1
49	51	IF9322SH01ASSY	Bottom Bracket ASSY	1
50	52	IF9322SH02ASSY	Side Bracket ASSY	4
51	53	IF9322SH0300	Right Shroud	1
52	54	IF9322SH0400	Left Shroud	1
53	55	IT95015300	Front Shroud	2
54	56	IT95222700	Bottom Connect Plate	1
55	57	ECU7P3500	Plastic Nut	12
56	58	GB818M6*10N19	Cross Recessed Pan Head Screw M6*10	4
57	59	GB818M6*20*20N19	Cross Recessed Pan Head Screw M6*20	2
58	60	GB9074ST4.2*16DHS	Cross Disc Self Tapping Screw ST4.2*16	16
59	71	IF930122ASSY	Bottom Bracket ASSY	1
60	200	IT9501C3100	Half Rear Shroud	1

Exploded View and Parts List

Overall

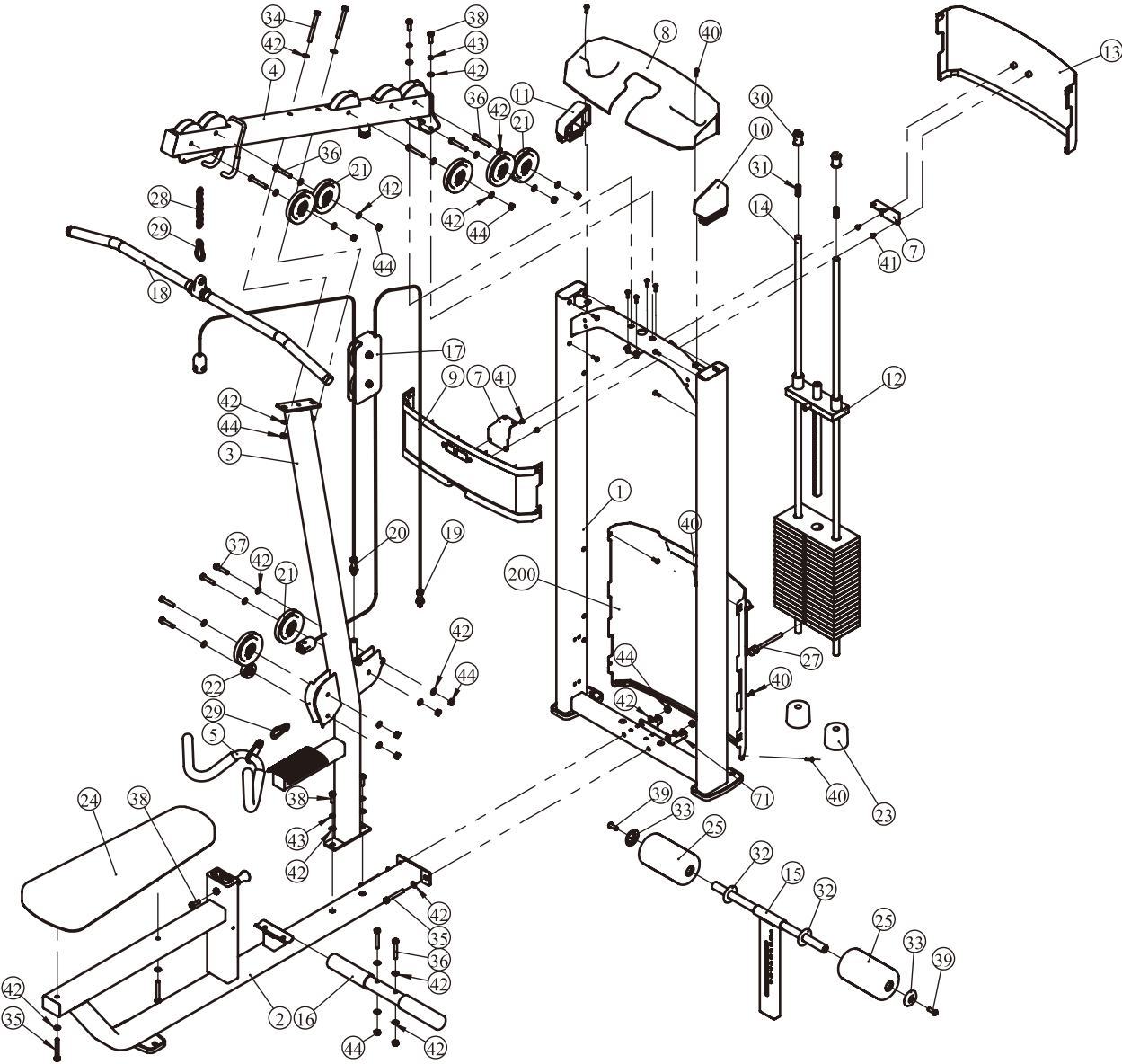
Full Shroud



Exploded View and Parts List

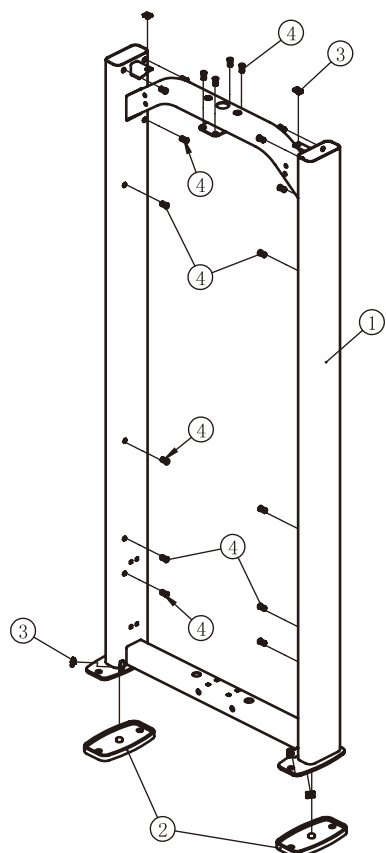
Overall

Half Rear Shroud

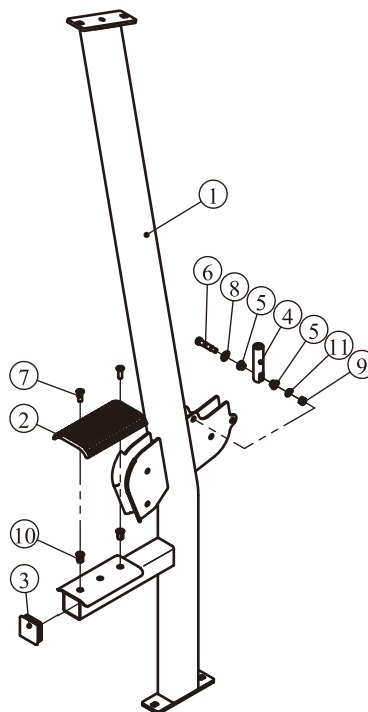


Exploded View and Parts List

Weight Stack Frame ASSY



Front Frame ASSY

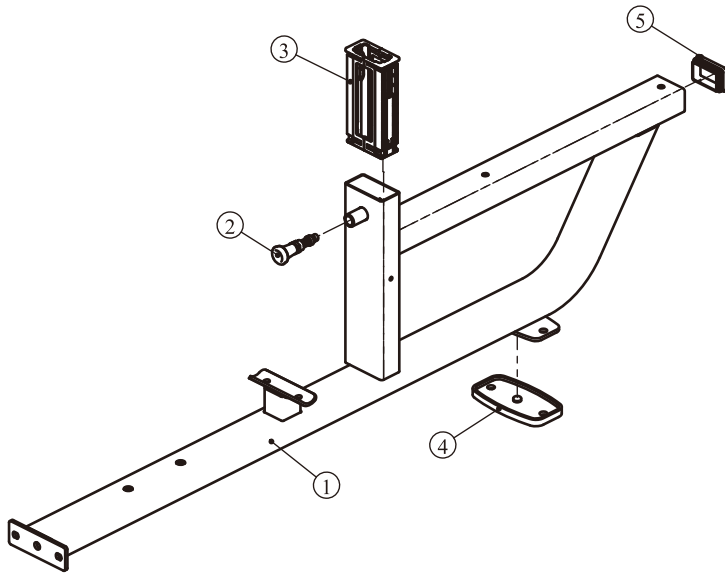


ItemNo.	Grade No.	Part No.	Description	QTY
1	1.1	IF93220100	Weight Stack Frame	1
2	1.2	BS81223100	Foot Plate	2
3	1.3	AC32705800	U-nut M6	4
4	1.4	GB17880.5M6*16.5DS17	Rivet Nut M6	18

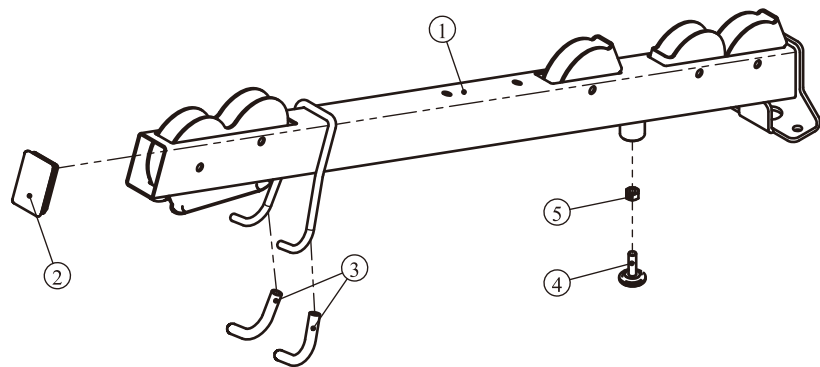
ItemNo.	Grade No.	Part No.	Description	QTY
1	3.1	IF93220300	Front Frame	1
2	3.2	IF93223100	Foot Plate	1
3	3.3	KPSFID3000	Plug □50.8	1
4	3.4	AP55600	Adjustable End	1
5	3.5	BNH0738	Adjustable End	2
6	3.6	IF81105500V1	Bolt	1
7	3.7	CNLM8*25*25DS20	Flat Head Cap Screw M8*25	2
8	3.8	GB9510DS2	Flat Washer $\Phi 11*\Phi 20*2$	1
9	3.9	NM8DS2	Nylon Lock Nut M8	1
10	3.10	GB17880.5M8*16.5DCS17	Rivet Nut M8	2
11	3.11	GB958DS2	Washer $\phi 9*\phi 16*1.6$	1

Exploded View and Parts List

Seat Pad Frame ASSY



Top Frame ASSY

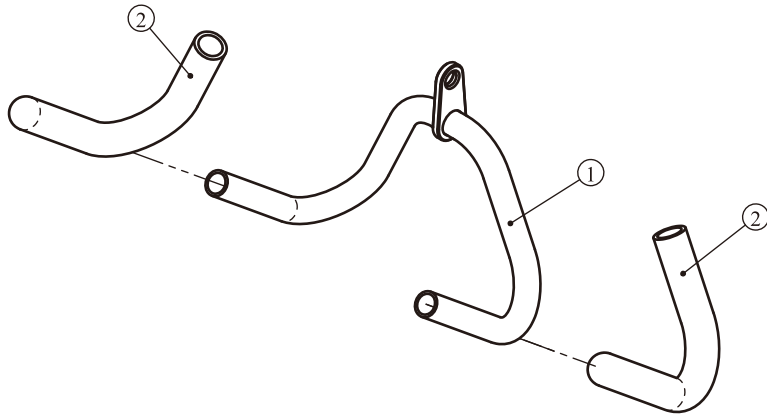


ItemNo.	Grade No.	Part No.	Description	QTY
1	2.1	IF93220200	Seated Frame	1
2	2.2	IT9322G0500	Pin	1
3	2.3	IF93035000	Inner Wear Sleeve	2
4	2.4	BS81223100	Foot Plate	1
5	2.5	KPSFID2800	Plug □50.8*76.2	1

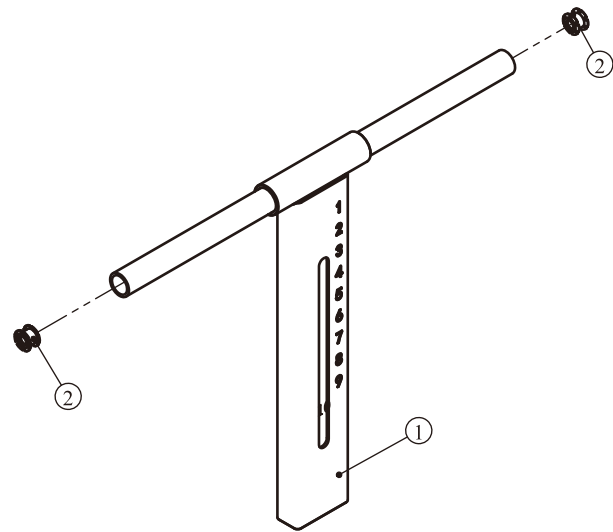
ItemNo.	Grade No.	Part No.	Description	QTY
1	4.1	IF93012700	Top Frame	1
2	4.2	KPSFID2800	Plug □50.8*76.2	1
3	4.3	HF900-03A1700P116C	Grip	2
4	4.4	DC135K34000	Adjustable Stopper	1
5	4.5	GB41M10N19	Hex Nut M10	1

Exploded View and Parts List

Lat Bar ASSY



FOAM Frame ASSY



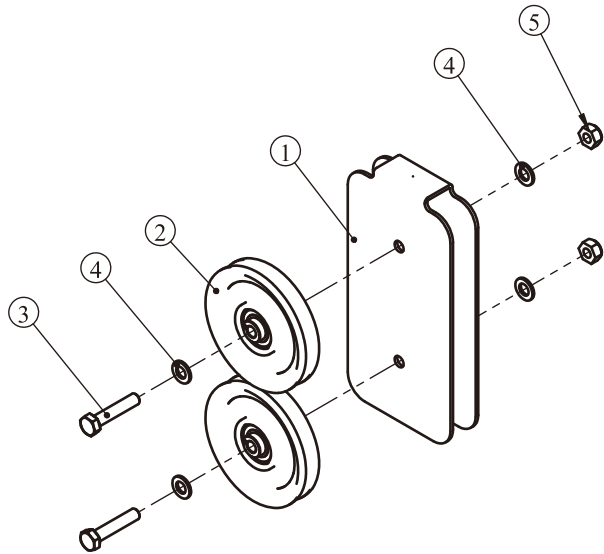
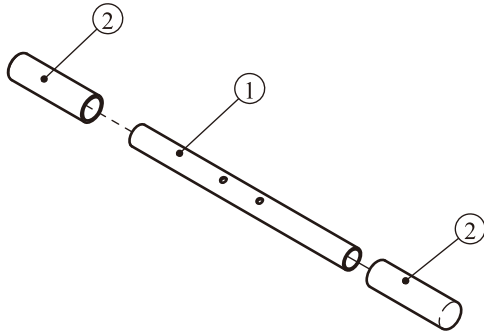
ItemNo.	Grade No.	Part No.	Description	QTY
1	5.1	IF93220600	Lat Bar Frame	1
2	5.2	HF2011800	Grip DTΦ32*Φ24*345	2

ItemNo.	Grade No.	Part No.	Description	QTY
1	15.1	IT95220400	FOAM Frame	1
2	15.2	IF81165000	Bolt 25*2.5*21.6	2

Exploded View and Parts List

Circular Foot Frame ASSY

Double Pulley Frame ASSY

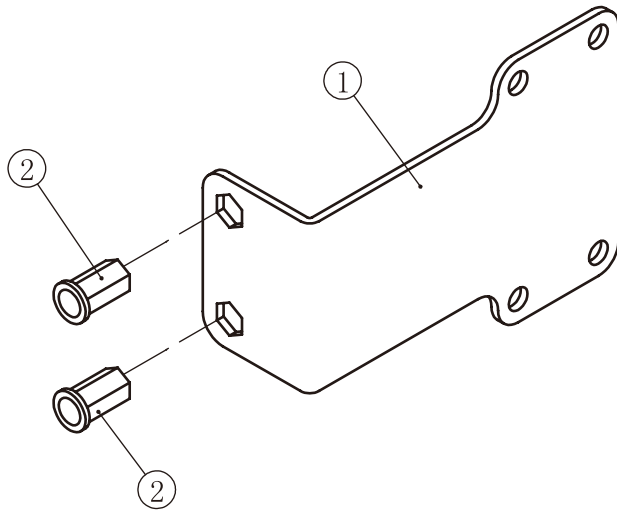


ItemNo.	Grade No.	Part No.	Description	QTY
1	16.1	FE97141600	Tube $\Phi 41.4 \times 2.5 \times 500$	1
2	16.2	FE970112000	Foot Set	2

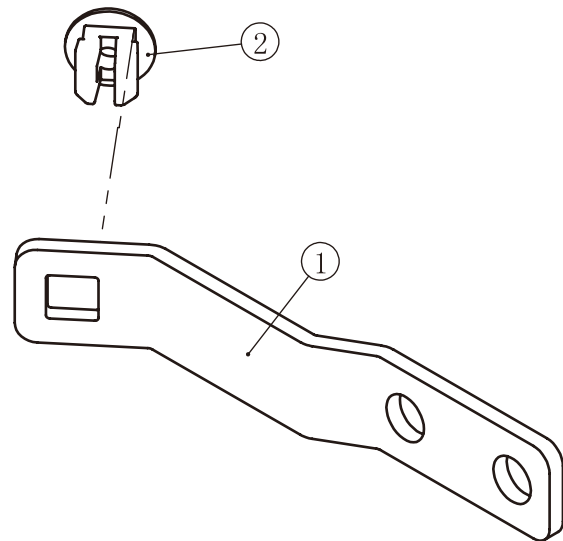
ItemNo.	Grade No.	Part No.	Description	QTY
1	17.1	FS531300	Double Pulley Frame	1
2	17.2	SG500110400V5	4.5" Pulley	2
3	17.3	GB5780M10*50DS20	Hex Head Bolt M10*50	2
4	17.4	GB9510DS2	Flat Washer $\Phi 11 \times \Phi 20 \times 2$	4
5	17.5	NM10DS2	Nylon Lock Nut M10	2

Exploded View and Parts List

Bottom Bracket ASSY



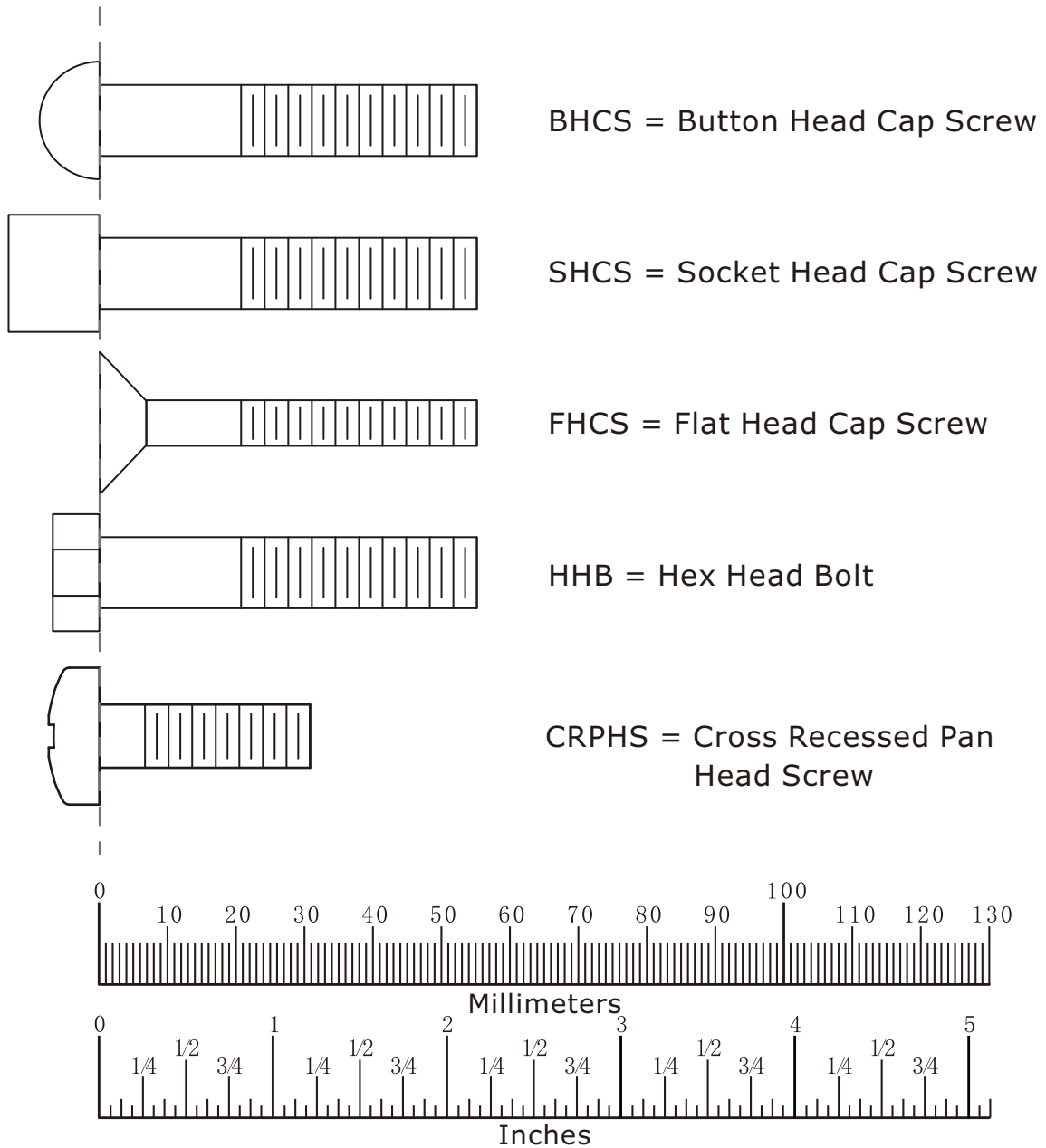
Side Bracket ASSY



ItemNo.	Grade No.	Part No.	Description	QTY
1	51.1	IF9322SH0100	Bottom Bracket	1
2	51.2	GB17880.5M6*16.5DS17	Rivet Nut M6	2

ItemNo.	Grade No.	Part No.	Description	QTY
1	52.1	IF9322SH0200	Side Bracket	1
2	52.2	ECU7P3500	Plastic Nut	1

Measurement Guide



Diameter of bolt (mm/inch)	M6(1/4")	M8(5/16")	M10(3/8")	M12(1/2")	M16(5/8")
Tightening torque (N.m)	9~12	22~30	45~59	78~104	193~257
Operational methods for adult men	The strength of the wrist	The strength of the wrist and forearm	The strength of the entire arm	The strength of the arm and upper body	with all strength

Assembly Instructions

Assembly of the equipment takes professional installers about 2 hours. If this is the first time you have assembled this type of equipment, plan to spend more time. It is strongly recommended to assemble the equipment by professional installers. You may find it quicker, safer, easier to assemble this equipment with the help of a friend, as some of components may be large, heavy or awkward to handle alone. It is important that you assemble your product in a clean, clear, uncluttered area. This will enable you to move around the product while you are fitting components and reduce the possibility of injury during assembly.

NOTE

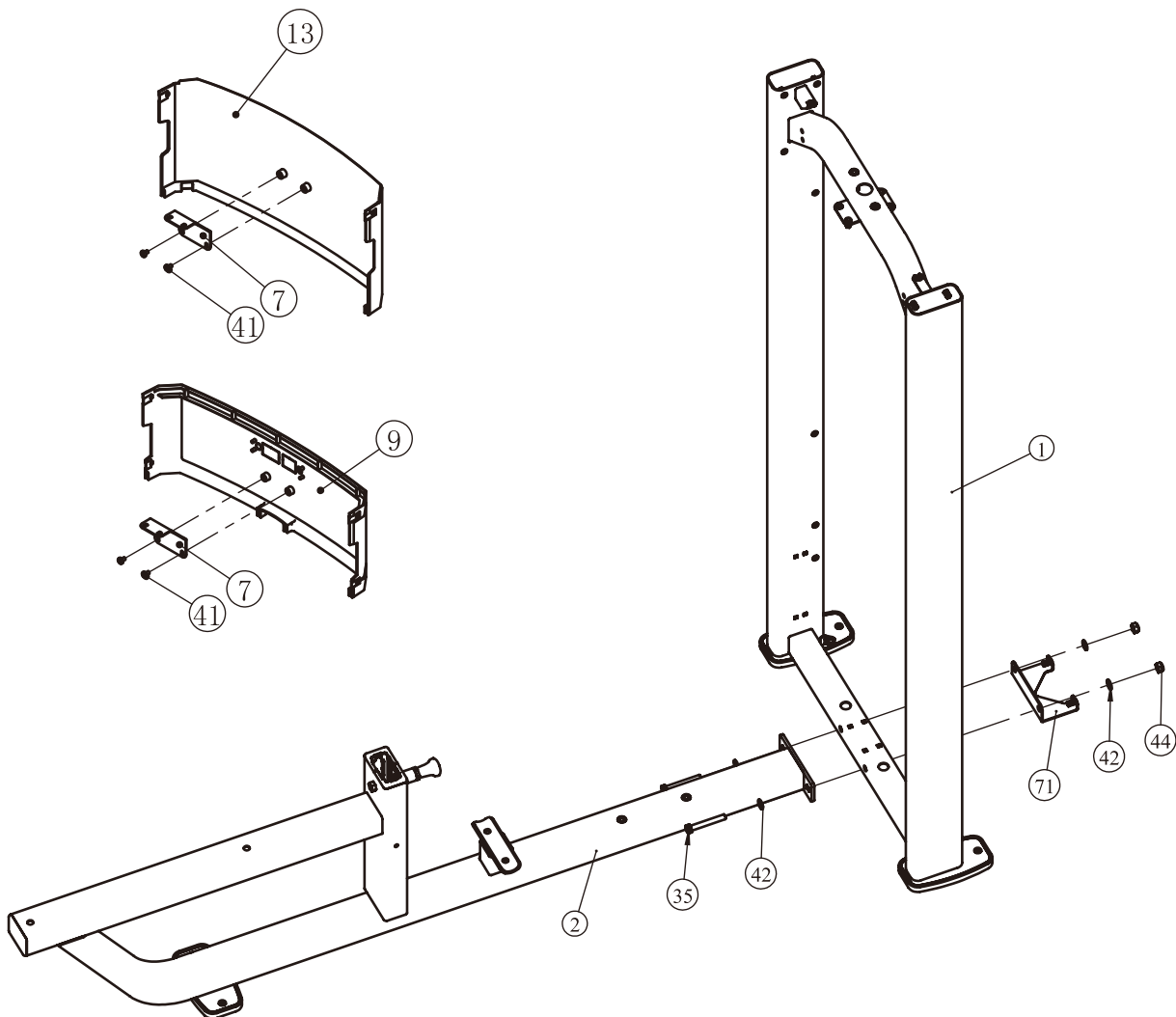
As with any assembled part, proper alignment and adjustment is critical. While tightening the fasteners, be sure to leave room for adjustments. Do not fully tighten the fasteners until instructed to do so. Be careful to assemble the components in the sequence presented in this guide.

Assembly

STEP 1

1. Attach the Seat Pad Frame ASSY (#2), and if you install the version of Half Rear Shroud, also the Bottom Bracket ASSY (#71) to the Weight Stack Frame ASSY (#1) using:
two M10*75 HHB (#35) four $\Phi 11*\Phi 20*2$ Flat Washer (#42)
two M10 Nylon Lock Nut (#44)
2. Attach the Top Bracket (#7) to the Training Placard Cover (#9) using:
two M6*10 CRPHS (#41)
3. Attach the Top Bracket (#7) to the Top Rear Shroud (#13) using:
two M6*10 CRPHS (#41)

Note: Wrench Tighten Bolts and Nylon Lock Nuts.

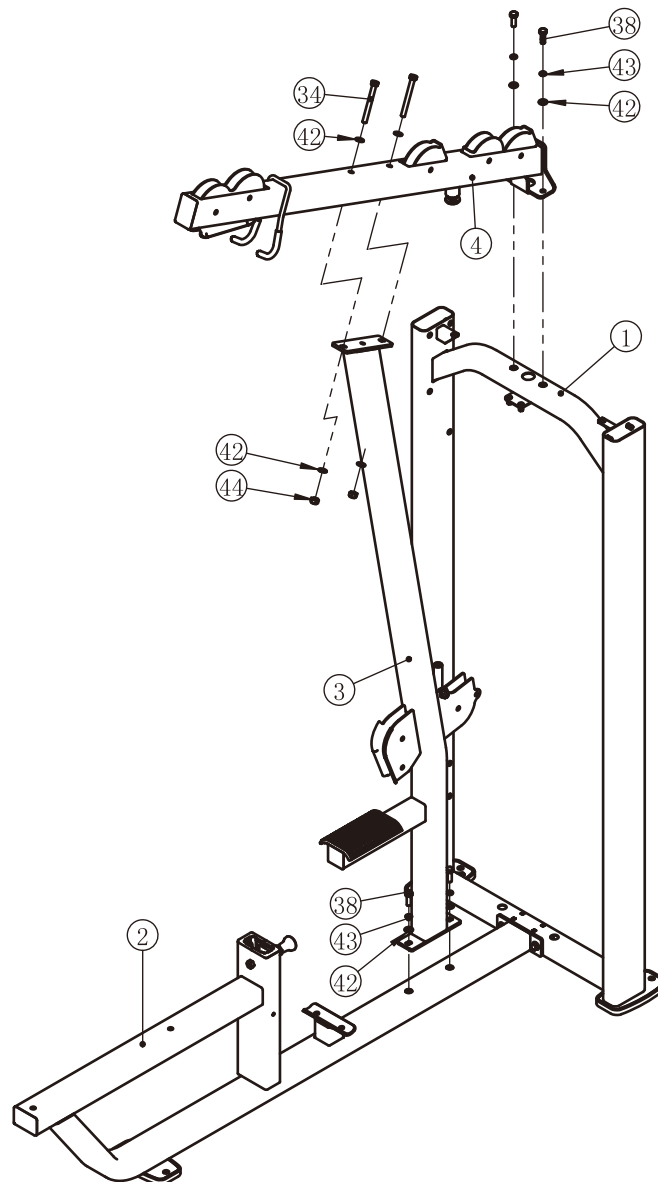


Assembly

STEP 2

1. Attach the Front Frame ASSY (#3) to the Seat Pad Frame ASSY (#2) using:
two M10*30 HHB (#38) two $\Phi 11*\Phi 20*2$ Flat Washer (#42)
two $\Phi 10$ Spring Washer (#43)
2. Attach the Top Frame ASSY (#4) to the Front Frame ASSY (#3) and the Weight Stack Frame ASSY (#1) using:
two M10*100 HHB (#34) two M10*30 HHB (#38)
six $\Phi 11*\Phi 20*2$ Flat Washer (#42) two $\Phi 10$ Spring Washer (#43)
two M10 Nylon Lock Nut (#44)

Note: Wrench Tighten Bolts and Nylon Lock Nuts.

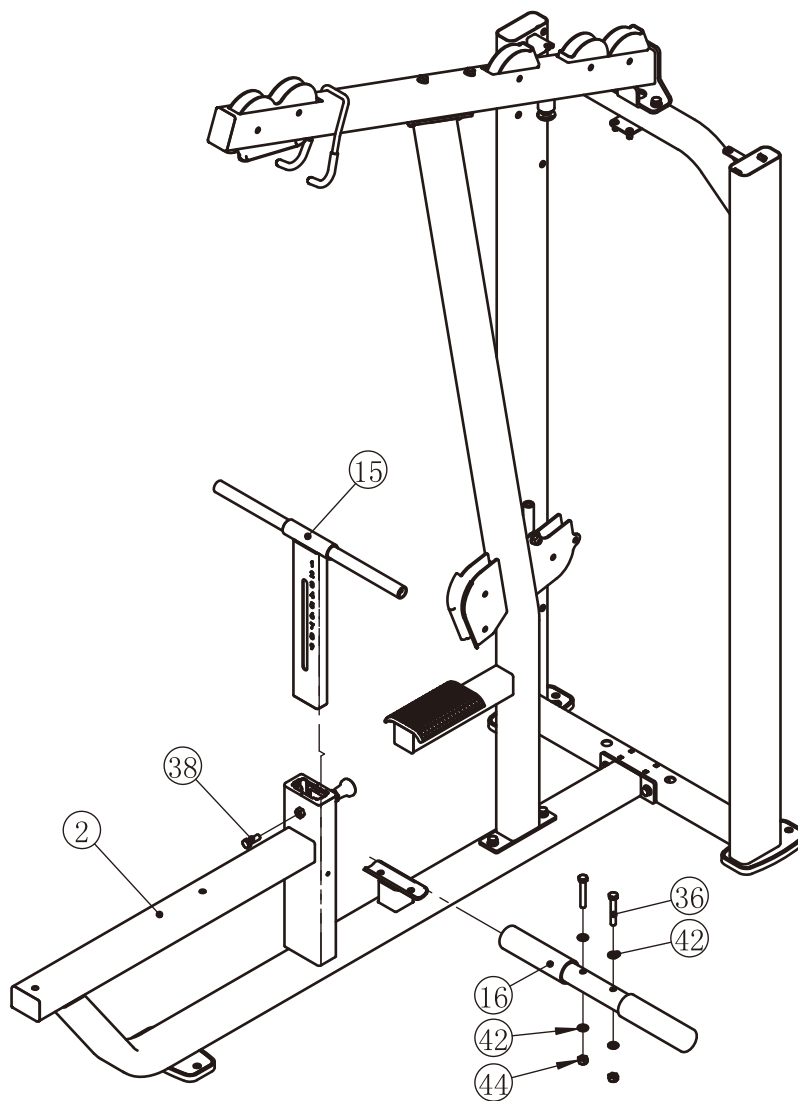


Assembly

STEP 3

1. Attach the FOAM Frame ASSY (#15) to the Seat Pad Frame ASSY (#2) using:
one M10*30 HHB (#38)
2. Attach the Circular Foot Frame ASSY (#16) to the Seat Pad Frame ASSY (#2) using:
two M10*65 HHB (#36) four $\Phi 11 \times \Phi 20 \times 2$ Flat Washer (#42)
two M10 Nylon Lock Nut (#44)

Note: Wrench Tighten Bolts and Nylon Lock Nuts.

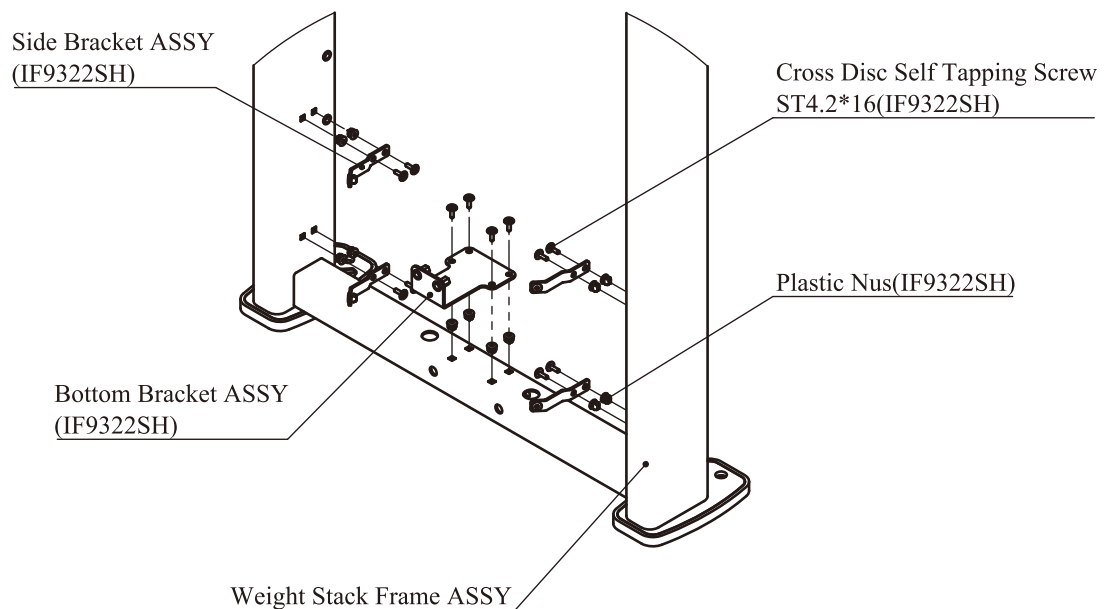
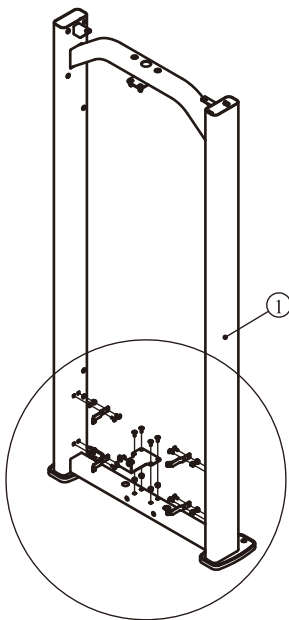


Assembly

Full Shroud

Select STEP

1. Attach twelve Plastic Nuts to the Weight Stack Frame ASSY (#1).
2. Attach the Bottom Bracket ASSY and four Side Bracket ASSYs to the Weight Stack Frame ASSY (#1) using:
twelve ST4.2*16 Cross Disc Self Tapping Screw



Assembly

STEP 4

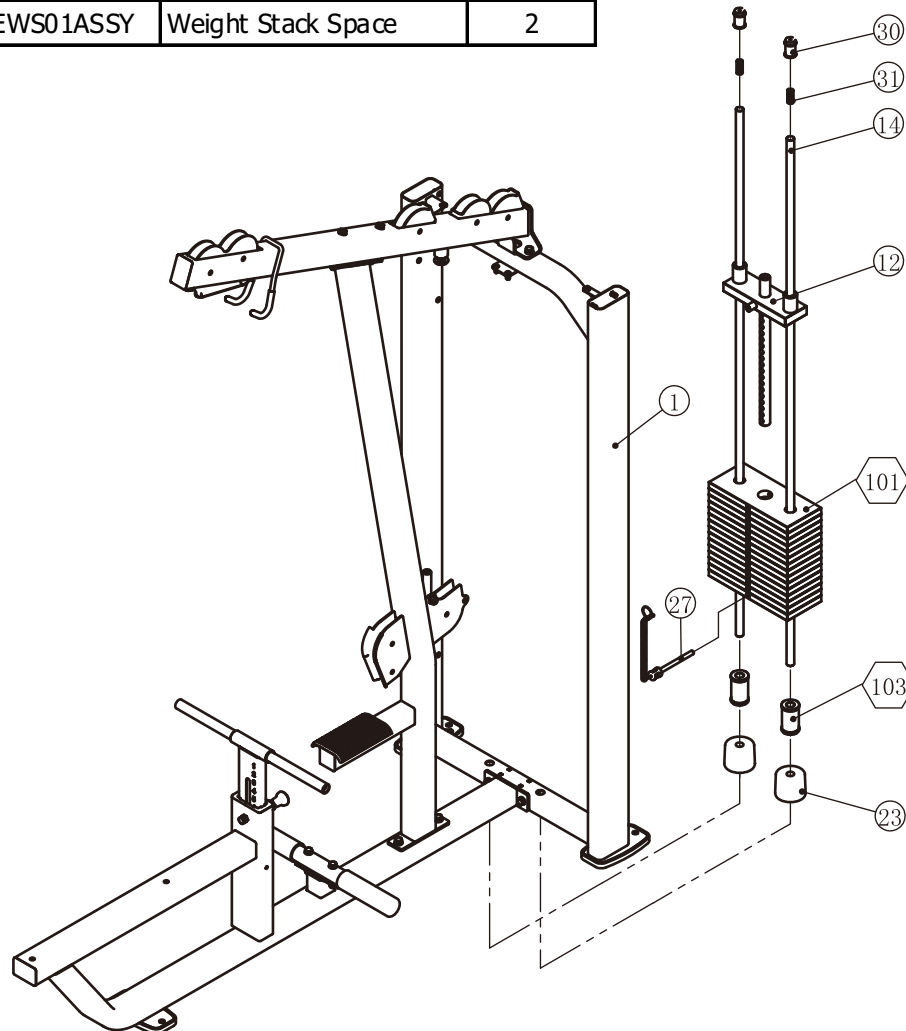
Here is the assembly instruction for **160LBS Weights !**

1. Attach:

- two Guide Rod $\Phi 19 \times 1597$ (#14)
 - two Weight Rubber Bumper (#23)
 - fifteen Weight Plate 10LBS (#101)
 - two weight stack space (#103)
 - one Top Plate (#12)
- to the Weight Stack Frame ASSY (#1) using:
- two Guide Rod Fixing Sleeve $\Phi 30 \times \Phi 19 \times 45$ (#30)
 - two Spring (#31)

2. Attach the Selector Pin W/Coil (#27) to the Top Plate (#12).

Grade No.	Part No.	Description	QTY
101	FE97193100	10LBS Weight Plate	15
103	FEWS01ASSY	Weight Stack Space	2



Assembly

STEP 4

Here is the assembly instruction for **200LBS Weights !**

1. Attach:

two Guide Rod $\Phi 19 \times 1597$ (#14)

two Weight Rubber Bumper (#23)

nineteen Weight Plate 10LBS (#101)

one Top Plate (#12)

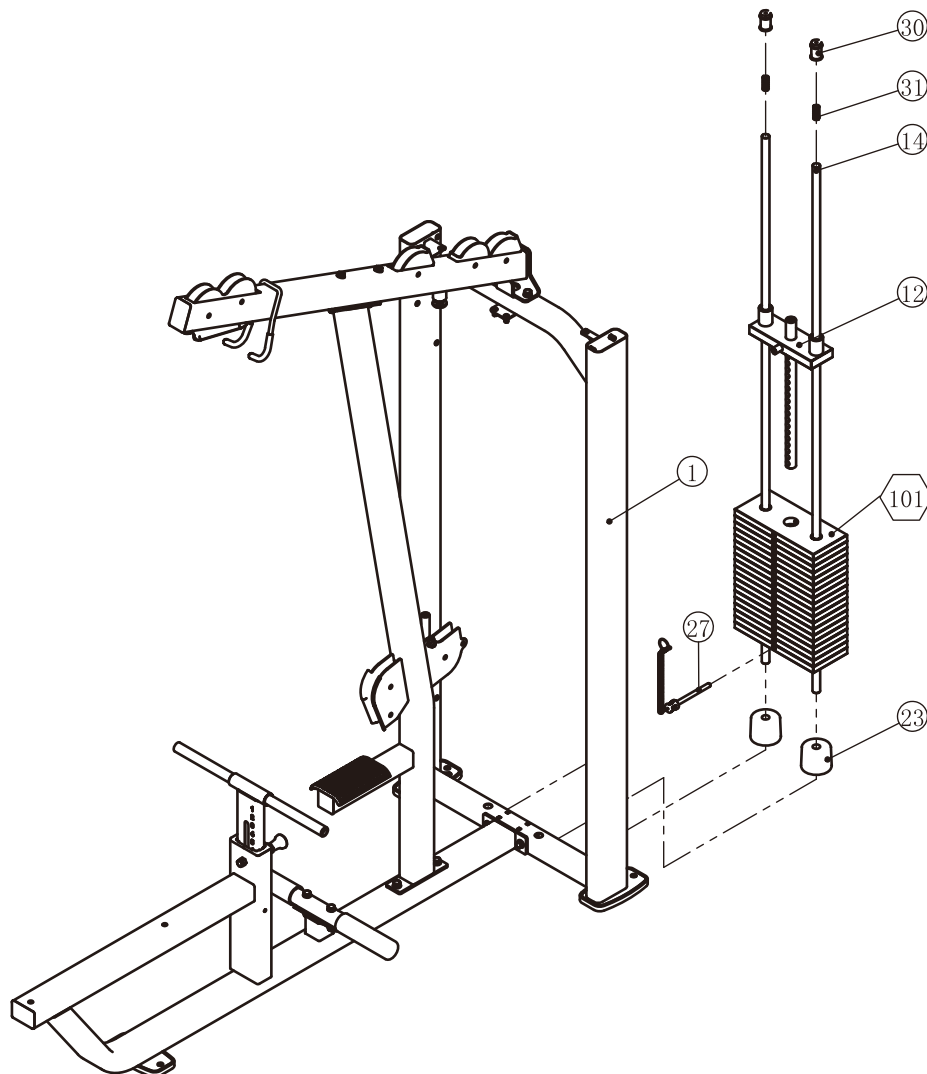
to the Weight Stack Frame ASSY (#1) using:

two Guide Rod Fixing Sleeve $\Phi 30 \times \Phi 19 \times 45$ (#30)

two Spring (#31)

2. Attach the Selector Pin W/Coil (#27) to the Top Plate (#12).

Grade No.	Part No.	Description	QTY
101	FE97193100	10LBS Weight Plate	19



Assembly

STEP 4

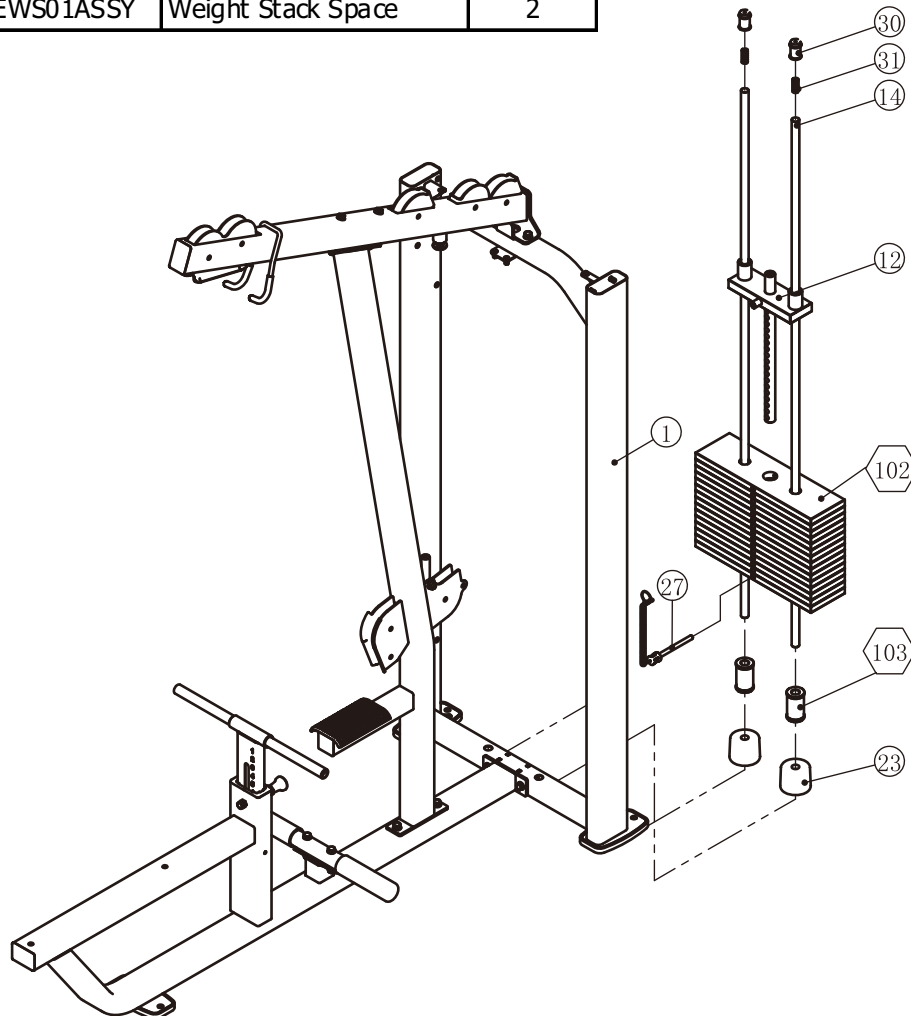
Here is the assembly instruction for **235LBS Weights !**

1. Attach:

- two Guide Rod $\Phi 19 \times 1597$ (#14)
 - two Weight Rubber Bumper (#23)
 - fifteen Weight Plate 15LBS (#102)
 - two weight stack space (#103)
 - one Top Plate (#12)
- to the Weight Stack Frame ASSY (#1) using:
- two Guide Rod Fixing Sleeve $\Phi 30 \times \Phi 19 \times 45$ (#30)
 - two Spring (#31)

2. Attach the Selector Pin W/Coil (#27) to the Top Plate (#12).

Grade No.	Part No.	Description	QTY
102	FE97193200	15LBS Weight Plate	15
103	FEWS01ASSY	Weight Stack Space	2



Assembly

STEP 4

Here is the assembly instruction for **295LBS Weights !**

1. Attach:

two Guide Rod $\Phi 19 \times 1597$ (#14)

two Weight Rubber Bumper (#23)

nineteen Weight Plate 15LBS (#102)

one Top Plate (#12)

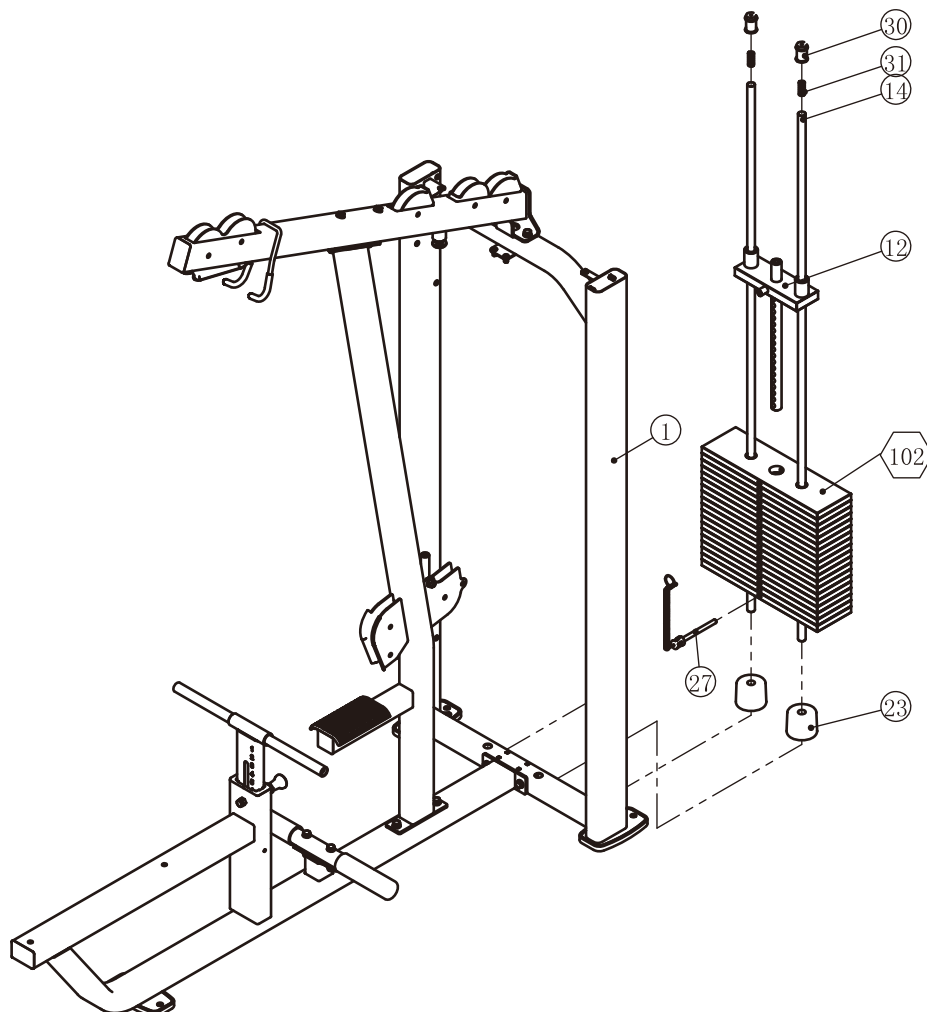
to the Weight Stack Frame ASSY (#1) using:

two Guide Rod Fixing Sleeve $\Phi 30 \times \Phi 19 \times 45$ (#30)

two Spring (#31)

2. Attach the Selector Pin W/Coil (#27) to the Top Plate (#12).

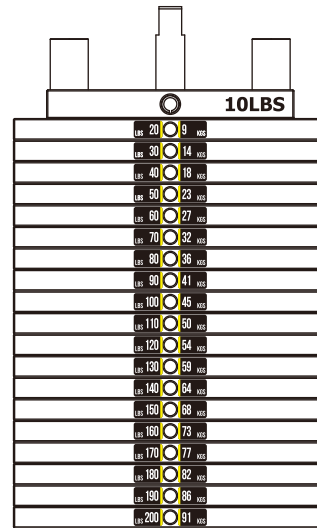
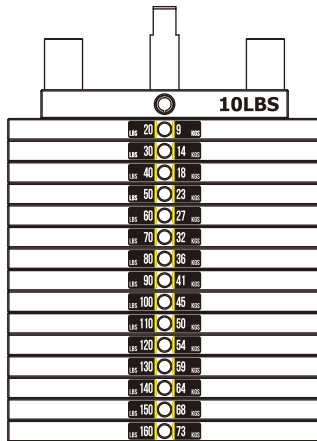
Grade No.	Part No.	Description	QTY
102	FE97193200	15LBS Weight Plate	19



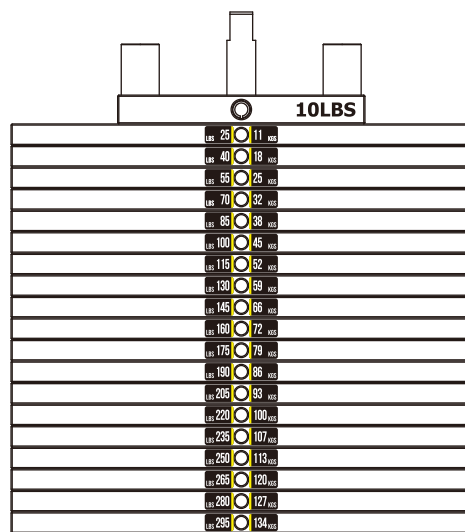
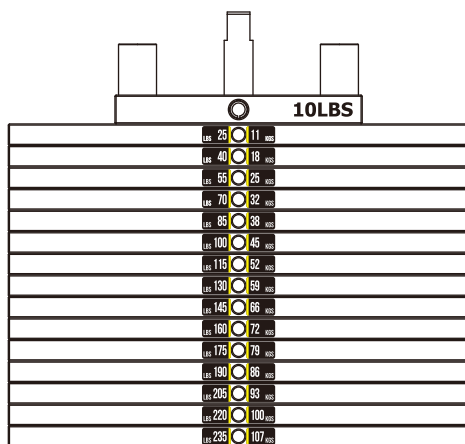
Assembly

All weight plate sticker paste schematic diagram

LBS 20	9
LBS 30	14
LBS 40	18
LBS 50	23
LBS 60	27
LBS 70	32
LBS 80	36
LBS 90	41
LBS 100	45
LBS 110	50
LBS 120	54
LBS 130	59
LBS 140	64
LBS 150	68
LBS 160	73
LBS 170	77
LBS 180	82
LBS 190	86
LBS 200	91
LBS 210	95
LBS 220	100
LBS 230	104



LBS 25	11
LBS 40	18
LBS 55	25
LBS 70	32
LBS 85	38
LBS 100	45
LBS 115	52
LBS 130	59
LBS 145	66
LBS 160	72
LBS 175	79
LBS 190	86
LBS 205	93
LBS 220	100
LBS 235	107
LBS 250	113
LBS 265	120
LBS 280	127
LBS 295	134
LBS 310	141
LBS 325	147



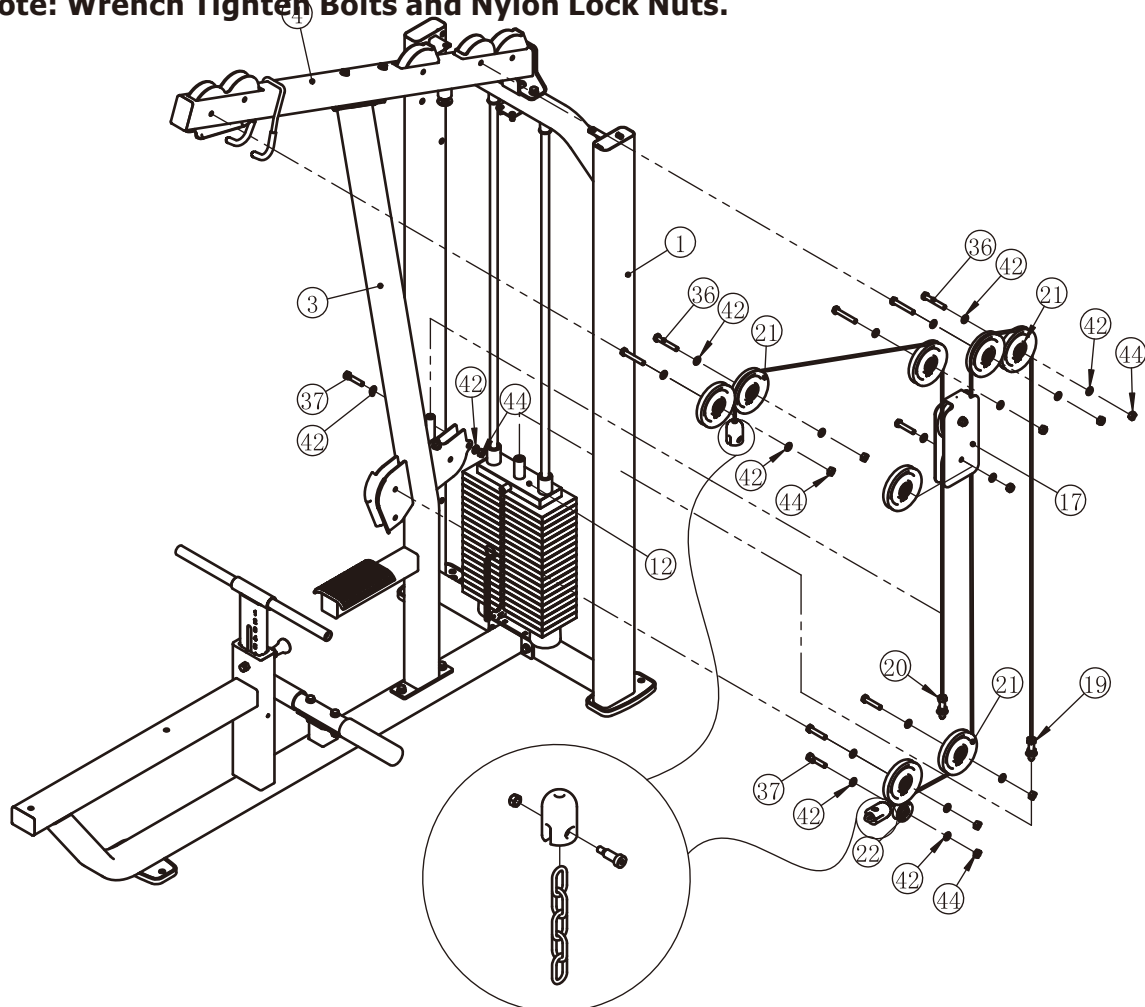
Assembly

STEP 5

TIPS: Firstly, attach one end of the Lat Pull Cable ASSY (#19)/ Row Cable ASSY (#20) to the Top Plate (#12)/ the Front Frame ASSY (#3). Then teardown the screw on the other end of the Cable, across the Cable through Pulleys according to the picture in the end. Before attach the 4.5" Pulley to the frame, you should lead the other end of the Cable (#19/#20) across it.

1. Attach five 4.5" Pulleys (#21) to the Top Frame ASSY (#4) using:
five M10*65 HHB (#36) ten $\Phi 11*\Phi 20*2$ Flat Washer (#42)
five M10 Nylon Lock Nut (#44)
2. Attach two 4.5" Pulleys (#21) and one 2" Pulley(#22) to the Front Frame ASSY (#3) using:
three M10*50 HHB (#37) six $\Phi 11*\Phi 20*2$ Flat Washer (#42)
three M10 Nylon Lock Nut (#44)
3. Attach one 4.5" Pulleys (#21) to the Double Pulley Frame ASSY (#17) using:
one M10*50 HHB (#37) two $\Phi 11*\Phi 20*2$ Flat Washer (#42)
one M10 Nylon Lock Nut (#44)

Note: Wrench Tighten Bolts and Nylon Lock Nuts.

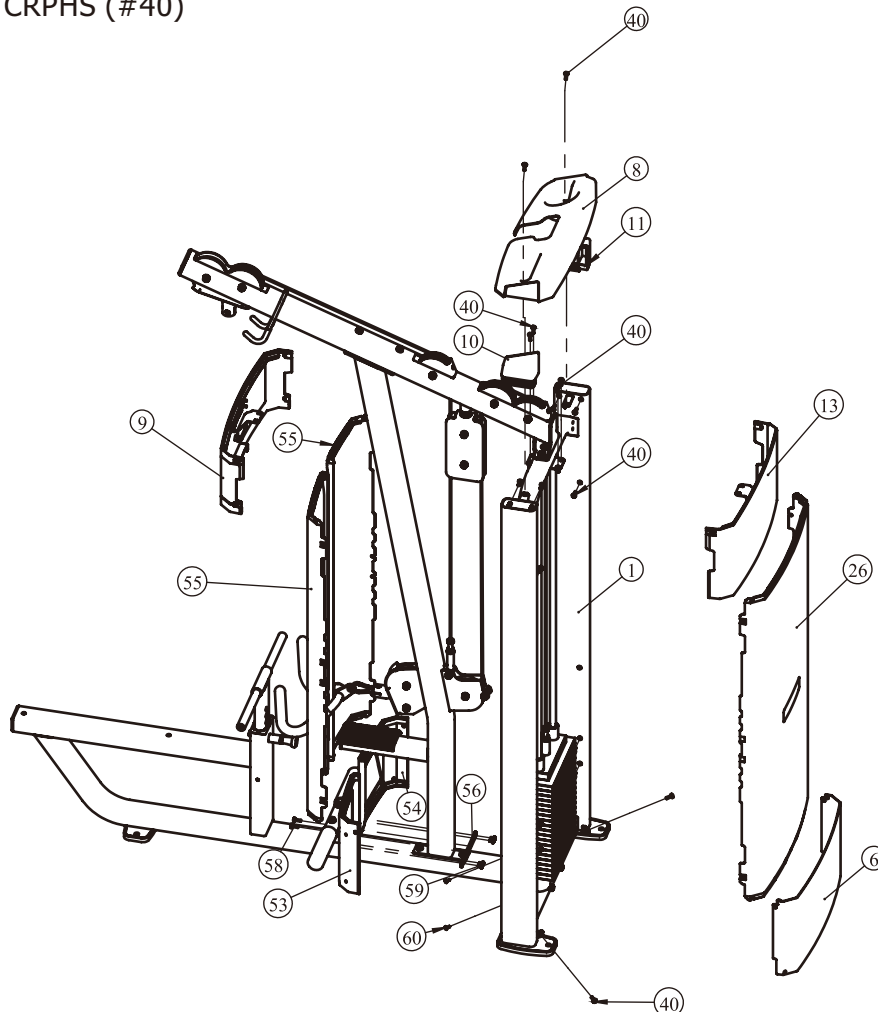


Assembly

STEP 6

Full Shroud

1. Attach the Rear Shroud (#26) to the Weight Stack Frame ASSY (#1) using:
four M6*20 CRPHS (#40)
2. Attach the Rear Iron Shroud (#6) to the Weight Stack Frame ASSY (#1) using:
four M6*20 CRPHS (#40)
3. Attach the Right Shroud (#53), the Left Shroud (#54), Bottom Connect Plate (#56) and the Front Shroud (#55) to the WeightStack Frame ASSY (#1) using:
four M6*20 CRPHS (#40) two M6*10 CRPHS (#41)
four ST4.2*16 Cross Disc Self Tapping Screw (#60)
4. Attach the Training Placard Cover (#9) and the Top Rear Shroud (#13) to the Weight Stack Frame ASSY (#1) using:
ten M6*20 CRPHS (#40)
5. Attach the Right Plug (#10) and the Left Plug (#11) to the Weight Stack Frame ASSY (#1).
6. Attach the Top Cover (#8) to the Weight Stack Frame ASSY (#1) using:
two M6*20 CRPHS (#40)

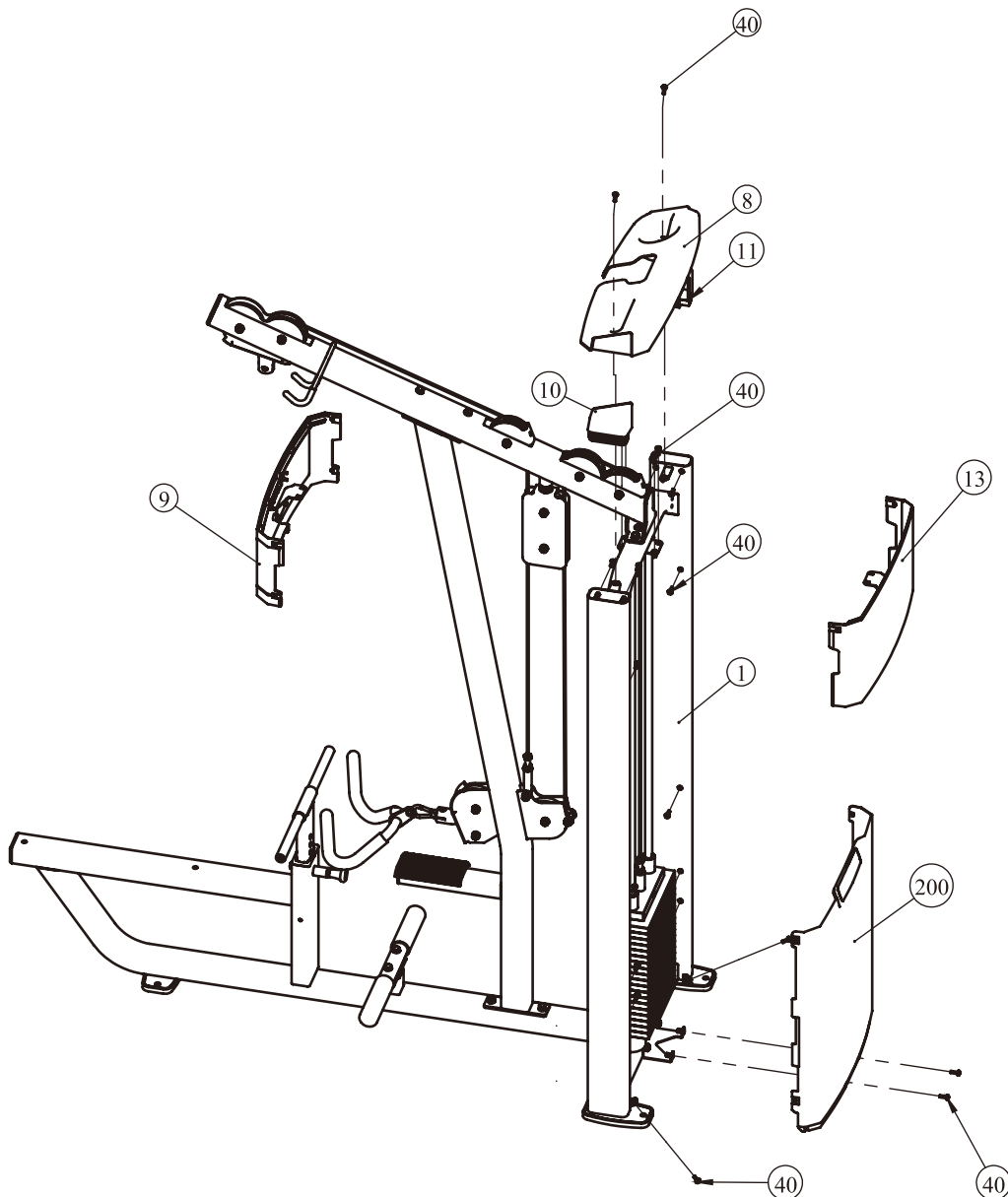


Assembly

STEP 6

Half Rear Shroud

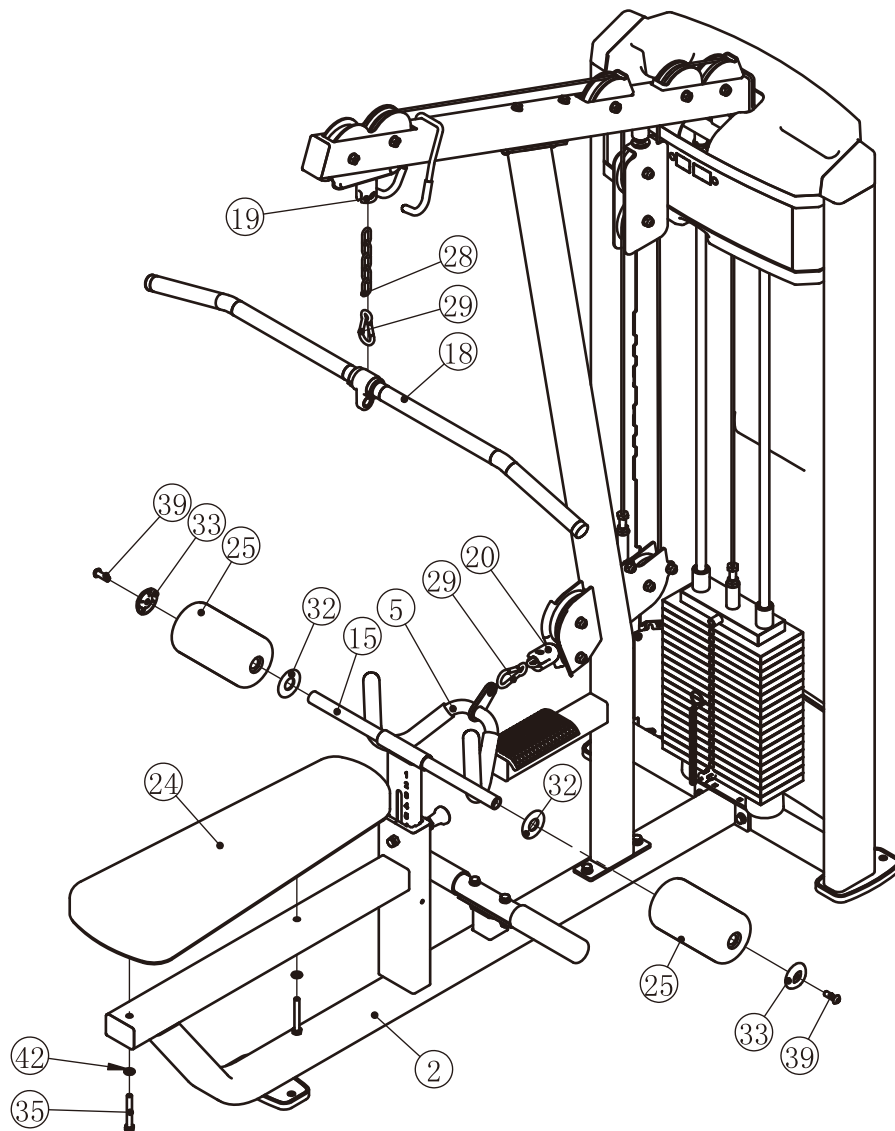
1. Attach the Half Rear Shroud (#200) to the Weight Stack Frame ASSY (#1) using:
four M6*20 CRPHS (#40)
2. Attach the Training Placard Cover (#9) and the Top Rear Shroud (#13) to the Weight Stack Frame ASSY (#1) using:
ten M6*20 CRPHS (#40)
3. Attach the Right Plug (#10) and the Left Plug (#11) to the Weight Stack Frame ASSY (#1).
4. Attach the Top Cover (#8) to the Weight Stack Frame ASSY (#1) using:
two M6*20 CRPHS (#40)



Assembly

STEP 7

1. Attach the Seat Pad (#24) to the Seat Pad Frame ASSY (#2) using:
two M10*75 HHB (#35) two $\Phi 11*\Phi 20*2$ Flat Washer (#42)
2. Attach two FOAMs (#25) two Plastic Washer(#32) to the FOAM Frame ASSY (#15) using:
two Foam Cap (#33) two M10*30 BSHCS (#39)
3. Attach the Long Lat Bar (#18) to the Lat Pull Cable ASSY(#19) using:
one Chain (#28) one Gear Hook (#29)
4. Attach the Lat Bar ASSY (#5) to the Row Cable ASSY (#20) using:
one Gear Hook (#29)



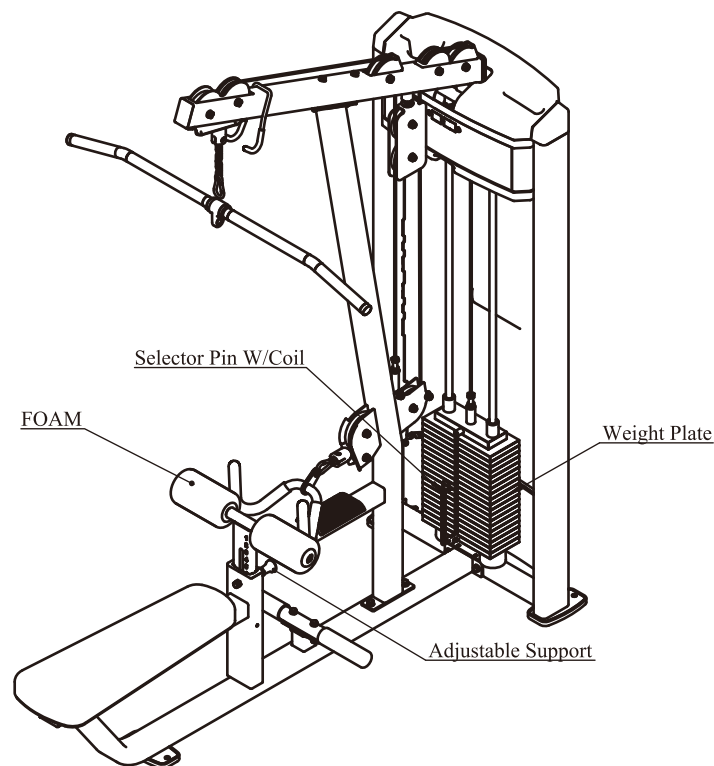
Adjust Instructions and Exercise Instructions

The Ues Position Adjustment

1. Pull the Adjustable Support and Adjust the FOAM to the desired position.
2. Make sure the pin gets into the hole completely.

The Ues of Selector Pin W/Coil

1. Select an appropriate weight and put the Selector Pin W/Coil into the hole on it.
2. Make sure the Selector Pin W/Coil gets into hole completely.



Exercise Instructions



Maintenance Schedule

ROUTINE	COMMERCIAL MAINTENANCE	HOME MAINTENANCE	LATEST DATE ENTRY						
Inspect; Links, Pull Pins, Snap Locks, Swivels, Weight Stack Pins	DAILY	WEEKLY							
Clean; Upholstery	DAILY	WEEKLY							
Inspect; Cables or Belts and their tension	DAILY	WEEKLY							
Inspect; Accessory Bars, and Handles	WEEKLY	3 MONTHS							
Inspect; All Decals	WEEKLY	3 MONTHS							
Inspect; All Nuts and Bolts, Tighten if needed	WEEKLY	3 MONTHS							
Inspect; Anti-Skid Surface	WEEKLY	3 MONTHS							
Clean & Lubricate; Guide Rods with a Teflon (PTFE) based lubricant (Superlube)	MONTHLY	3 MONTHS							
Lubricate; Seat Sleeves, Turcite Bushings, Linear Bearing	MONTHLY	3 MONTHS							
Clean and Wax; All Glossy Finishes	6 MONTHS	YEARLY							
Repack with Grease; Linear Bearings	6 MONTHS	YEARLY							
Replace; Cables, Belts and Connecting Parts	YEARLY	3 YEARS							

Your equipment comes with a commercial maintenance decal. For personal, in home use, please follow the home maintenance schedule listed above.

General Maintenance Information

Links, Pull-Pins, Snap Hooks, Swivels, Weight Stack Pins:

- * Check all pieces for signs of visible wear or damage.
- * Check springs in snap hooks and pull-pins for proper tension and alignment.
- * If the spring sticks or has lost its rigidity, replace it immediately.

Upholstery:

- * To ensure prolonged upholstery life and proper hygiene, all upholstered pads should be wiped down with a damp cloth after every workout.
- * Periodically take the time to use a mild soap or an approved vinyl upholstery cleaner to deter the onset of cracking or drying. Avoid using any abrasive cleaners or cleaners not intended for use on vinyl.
- * Replace ripped or worn upholstery immediately.
- * Keep sharp or pointed objects clear of all upholstery.

Decals:

- * Inspect and familiarize yourself with any safety warnings or other user information posted on each decal.

Nuts and Bolts:

- * Inspect all nuts and bolts for any loosening and tighten if needed.
- * Go through a re-tightening sequence periodically to ensure that all hardware is tensioned proper.

Anti-Skid Surfaces:

- * These surfaces are designed to supply secure footing and need to be replaced if they appear worn or become slippery.

Belts and Cables:

- * We use only high quality belt, and mil-spec cables.
- * Visually inspect the belts and cables for fraying, cracking, peeling or discoloration.
- * While the machine is not in use, carefully run your fingers along the belt or cable to feel for thinning or bulging areas.
- * Replace belts and cables immediately at the first signs of damage or wear. Do not use equipment until belts or cables have been replaced.

Belt and Cable Tension:

- * Referring to the Owners Manual, when belts or cables are used check all bolt attachments to be sure they are properly attached.
- * Check slack in cables and re-adjust cable tension if needed.

Seat Sleeves, Guide Rods:

- * Wipe down adjusting tubes with a dust free rag before applying lubricant.
- * Lubricate seat sleeves and Guide Rods with a Silicon or Teflon based lubricant spray.

Linear Bearings:

- * Referring to the Owners Manual carefully disassemble the bearing from its housing and place a finger full of light grease (lithium, super lube, etc.) into the inside of the bearing. Using your finger, press the grease into the ball-bearings and their tracks. Repeat until the ball-bearing tracks are full of grease. Insert the shaft back into the bearing and wipe off excess grease.

PLEASE KEEP THIS FOR YOUR RECORDS

Weight Training Tips

Use this manual to guide you through the basic exercises you can perform on your equipment. To gain maximum results and avoid possible injury, consult a fitness professional to develop your complete exercise program.

Always consult your physician before starting any exercise program.

To be successful in your exercise program, it is important to develop an understanding of the basic principles of strength training. Now that you have your equipment, it is only natural that you want to get started immediately. First, determine a set of realistic goals and objectives for yourself. By deciding on an exercise plan that is right for you prior to starting, you will contribute significantly to your success.

Warm up properly before engaging in weight resistance training. Stretching, yoga, jogging, calisthenics or other cardiovascular exercise can help prepare your body for the heavier workload of lifting weights.

Learn how to perform the exercise correctly before using heavy weight. Correct form is important to avoid injury and to ensure that you work the proper muscle groups.

Know your limitations. If you are new to weight training or are embarking on an exercise regimen after a long layoff, start slowly and build foundational strength over a longer period of time.

Pay attention to your breathing. Exhale when you exert is a general rule of thumb. Never hold your breath.

