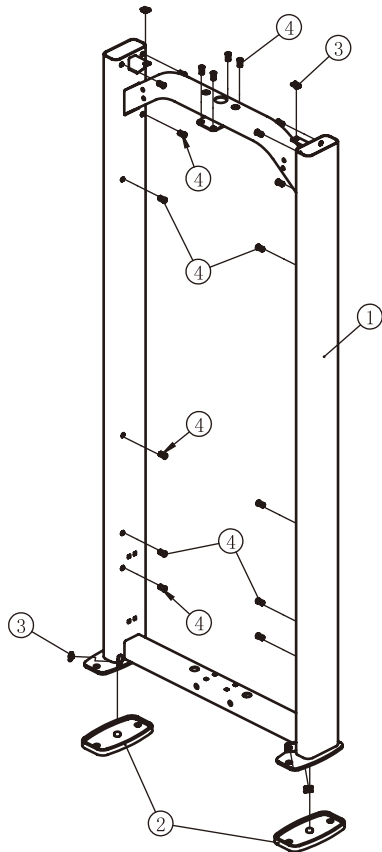
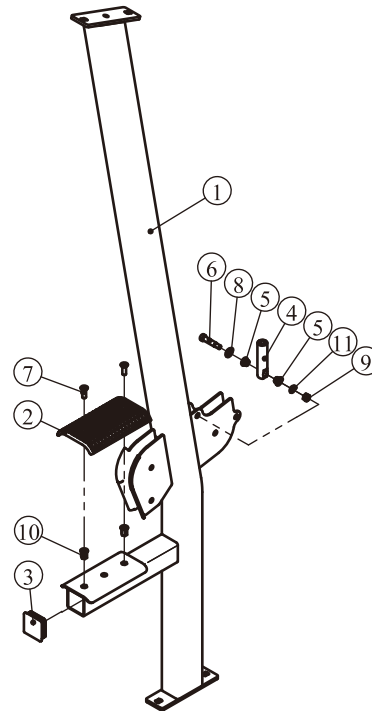


Exploded View and Parts List

Weight Stack Frame ASSY



Front Frame ASSY



ItemNo.	Grade No.	Part No.	Description	QTY
1	1.1	IF93220100	Weight Stack Frame	1
2	1.2	BS81223100	Foot Plate	2
3	1.3	AC32705800	U-nut M6	4
4	1.4	GB17880.5M6*16.5DS17	Rivet Nut M6	18

ItemNo.	Grade No.	Part No.	Description	QTY
1	3.1	IF93220300	Front Frame	1
2	3.2	IF93223100	Foot Plate	1
3	3.3	KPSFID3000	Plug □50.8	1
4	3.4	AP55600	Adjustable End	1
5	3.5	BNH0738	Adjustable End	2
6	3.6	IF81105500V1	Bolt	1
7	3.7	CNLM8*25*25DS20	Flat Head Cap Screw M8*25	2
8	3.8	GB9510DS2	Flat Washer $\Phi 11*\Phi 20*2$	1
9	3.9	NM8DS2	Nylon Lock Nut M8	1
10	3.10	GB17880.5M8*16.5DCS17	Rivet Nut M8	2
11	3.11	GB958DS2	Washer $\phi 9*\phi 16*1.6$	1